

JOB:
 LOCATION:
 ARCHITECT:
 MECH. ENG.:
 CONTRACTOR:
 DATE:

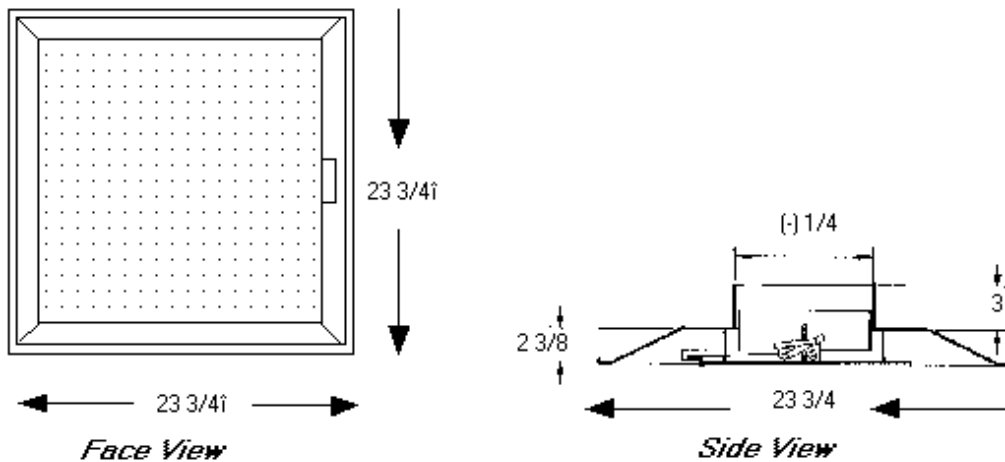
VFSS24 Series Vari-Flow 24" x 24" Sq. Ceiling Diffuser

Special Appearance
 Panel



THERMAL PRODUCTS
 CORPORATION
 412 NORTH SIXTH AVENUE
 TUCSON, AZ 85705 520 622-7898

Dimensions



Models Available

- o VFSS-24C-VAV cooling only
- o VFSS-24H-VAV cooling,

Panels Available

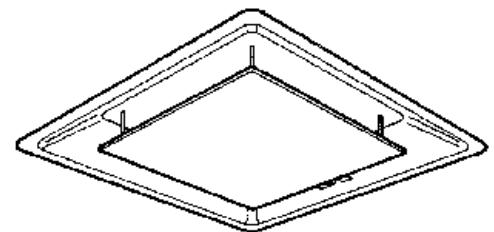
- o Silk screen to match tile
- o Perforated

Neck Sizes

- o 8" o 12"
- o 10" o 14"

Features:

- Construction: 24 ga. electro galvanized steel
- Appearance Panel: Perforated or silk screened
- Controls: Self-Contained-Thermally actuated
- Discharge Pattern: Standard-4 way-1,2, 2 way corner and 3 way available
- Accessories/
Options: -Additional frames-Surface mount, spline, and fine line
-Relief Ring
- Finish: White



Form No. VFSS94-104-Eff. Date: 11/94