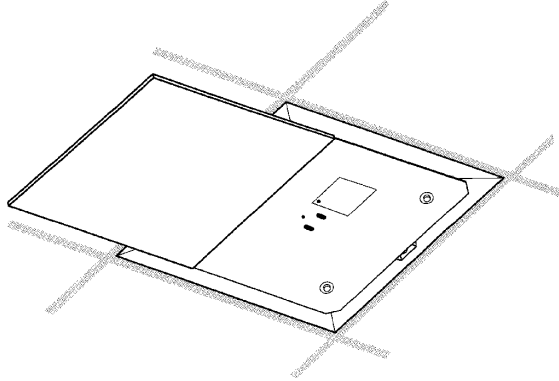


# THERMAL PRODUCTS CORPORATION

## VFS 12/14 Series Vari-Flow Diffuser



### Features

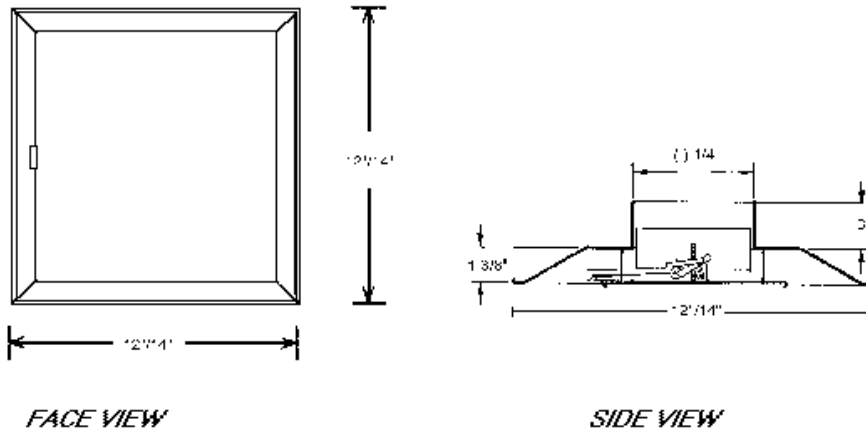
- \*Totally self-contained control system
- \*Warm-up feature (optional) provides constant volume heating
- \*Self-powered, thermally-actuated individual VAV room control
- \*Variable discharge area
- \*Heating and cooling with automatic changeover
- \*Reduces installation costs
- \*All controls accessible from unit face
- \*Saves energy on existing and new systems
- \*Calibrated VAV cooling temperature set point
- \*No control contracts

MODEL  
DESIGNATION

VF	S	12	A	4	08	W
VFS-Vari-Flow Series	(S) square	nom. size in inches (12) (14)	(A) appearance panel (P) perforated face (3) architectural appearance panel (5) special	direction of discharge (1) one way (2) two way (3) three way (4) four way (5) two way corner	diffuser size 08	finsh. (W) white (B) black (S) special

THERMAL PRODUCTS CORPORATION

## VFS12/14



### PERFORMANCE DATA

Diffuser Size	Neck Size	Air Flow CFM	Neck Velocity FPM	Total Press. in W.G	Noise Criteria NC	Throw Vt=150	Throw Vt=100	Throw Vt=75
12" x 12"	8"	100	286	0.05	<20	2	3	4
		150	430	0.07	21	3	4	5
		200	580	0.12	28	4	5	6
		250	715	0.19	34	5	6	8
		300	860	0.23	39	5	8	10
14" x 14"	8"	100	286	0.02	<20	1	2	3
		150	430	0.04	<20	2	3	4
		200	580	0.07	21	3	4	5
		250	715	0.11	27	4	5	7
		300	860	0.16	32	4	7	9

### Performance data based on ADC 1062 GRD-84

- ?? **Throw:** Distance in feet radially from the diffuser center at which the minimum velocity has been reduced to a specified terminal velocity (Vt).
- ?? **Terminal Velocity:** Maximum velocity (Vt) in feet per minute at the specified distance from the diffuser center.
- ?? **Air Flow:** In cubic feet per minute at standard air conditions and isothermal conditions.
- ?? **Total Pressure:** Inches of water gauge required.
- ?? **Noise Criteria:** Noise criteria (NC) curve which is not exceeded with a room attenuation of 10db and based on a sound power level Re: 10-12 watts.