

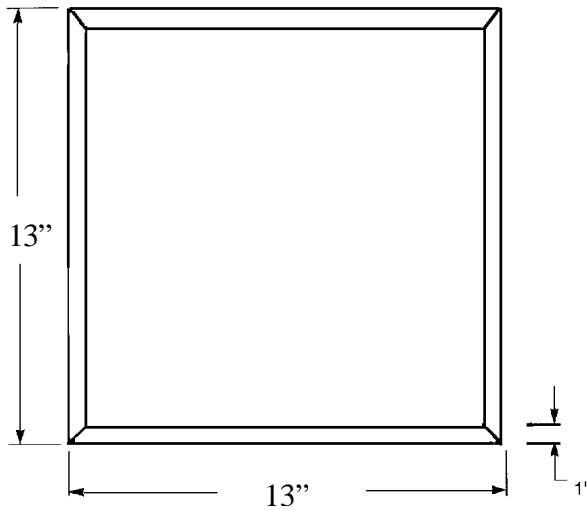
JOB:
LOCATION:
ARCHITECT:
MECH. ENG.:
CONTRACTOR:
DATE:

FPVFS12 Series Vari-Flow

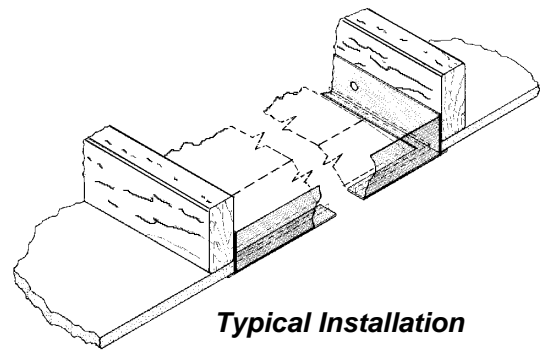
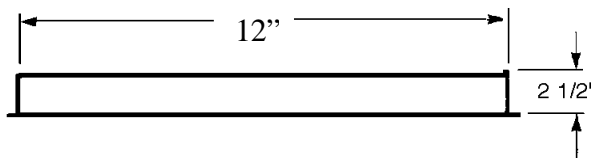
12" x 12"
Square Plaster Frame



412 NORTH SIXTH AVENUE
TUCSON, AZ 85705 520 622-7898



Side View



Typical Installation

Application:

The FPVFS12 plaster frame is used in plastered sheet rock and hard surface ceilings. It is used with the VFS12, SAS12, and all other 12" square lay-in ceiling diffusers by Thermal Products Corp.

Installation

The frame is installed in a rough opening and attached with screws or nails. (See illustration). The frame may also be installed and supported by suspension wires. The method of attachment may vary with the particular construction. The surface of the frame has mitered corners for appearance. The diffuser is installed in the frame in the same manner as it would be in a ceiling grid.

Form No. VFSA94-701