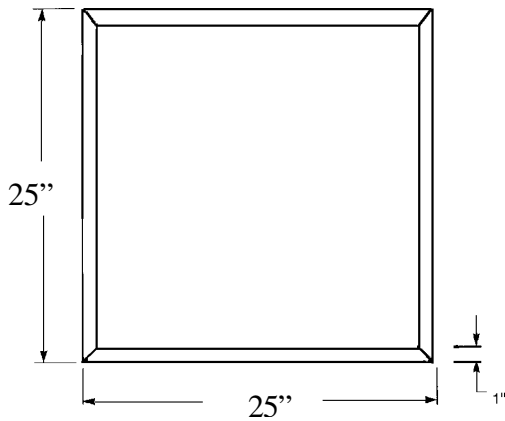


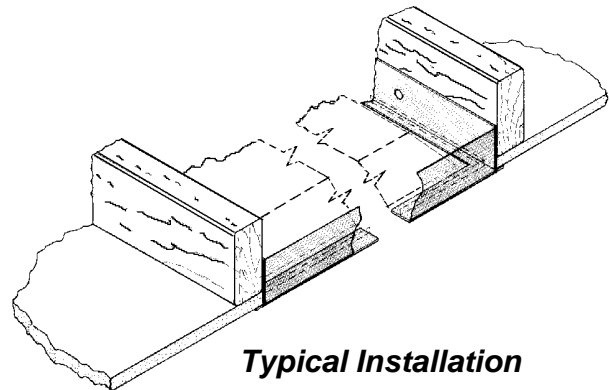
JOB:
LOCATION:
ARCHITECT:
MECH. ENG.:
CONTRACTOR:
DATE:

FPVFS24 Series Vari-Flow

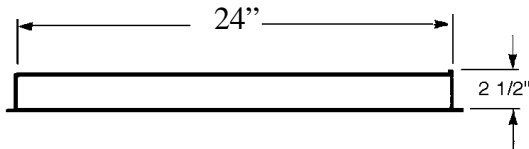
24" x 24" Square
Plaster Frame



Face View



Typical Installation



Application:

The FPVFS24 plaster frame is used in plastered sheet rock and hard surface ceilings. It is used with the VFS24, SAS24, EFS24, and all other 24" square lay-in ceiling diffusers by Thermal Products Corp.

Installation

The frame is installed in a rough opening and attached with screws or nails. (See illustration). The frame may also be installed and supported by suspension wires. The method of attachment may vary with the particular construction. The surface of the frame has mitered corners for appearance. The diffuser is installed in the frame in the same manner as it would be in a ceiling grid. Form No, VFSA94-700