

JOB:

LOCATION:

ARCHITECT:

MECH. ENG.:

CONTRACTOR:

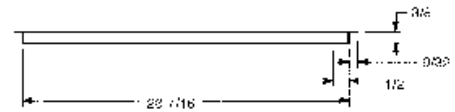
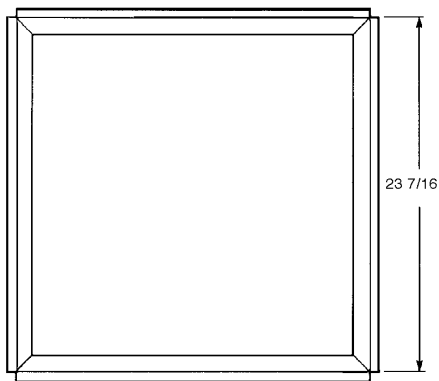
DATE:

FFVFS24 Series Vari-Flow

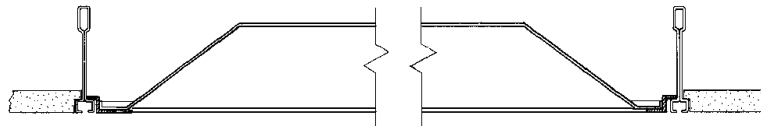
24" x 24" Sq. Fine Line Frame



Dimensions



Side View



Typical Application

Application:

The FFVFS24 Vari-Flow square fine line ceiling frame can be used with the VFS24, SAS24, and EFS24 Series square diffusers for fine line ceiling applications.

The frame allows the diffuser to mount flush with the fine line grid and tile.

Installation:

The fine line frame is installed by simply laying it into the fine line grid. The VFS24 Series diffuser mounts in the fine line frame as it would in a standard ceiling grid.

