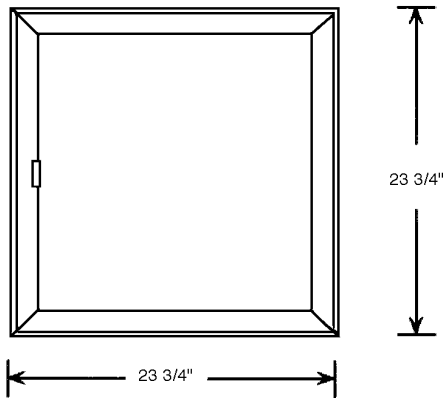


JOB:
 LOCATION:
 ARCHITECT:
 MECH. ENG.:
 CONTRACTOR:
 DATE:

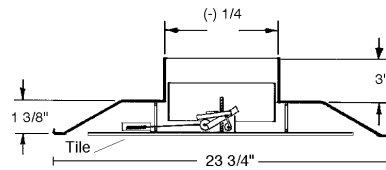
**VFSD24 Series
 Vari-Flow**
 24" x 24" Square Ceiling
 Diffuser
 Architectural Panel



412 NORTH SIXTH AVENUE
 TUCSON, AZ 85705 520 622-7898



Face View



Side View

Models Available

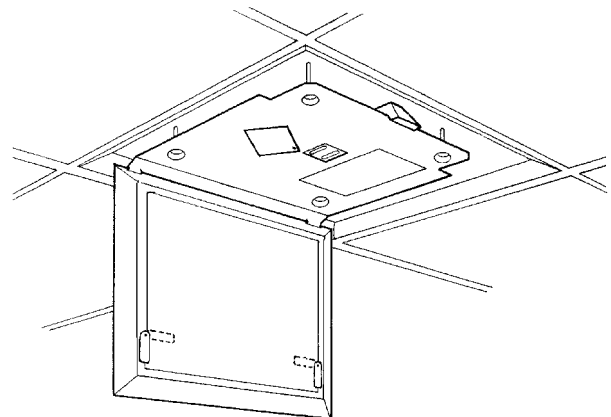
- o VFSD-24C-VAV cooling only
- o VFSD-24H-VAV cooling, constant volume heat

Neck Sizes

- o 8" o 12"
- o 10" o 14"

Features:

- Construction: Designed to accept a ceiling tile-hinged back pan for ease in tile installation
- Material: 24 ga. electro galvanized steel
- Controls: Self-Contained-Thermally actuated
- Discharge Pattern: Standard-4 way-1,2, 2 way corner and 3 way available
- Accessories/Options: Additional frames-Surface mount, spline, and fine line, relief ring



Form No. VFSD94-131 Eff. Date: 10/94