

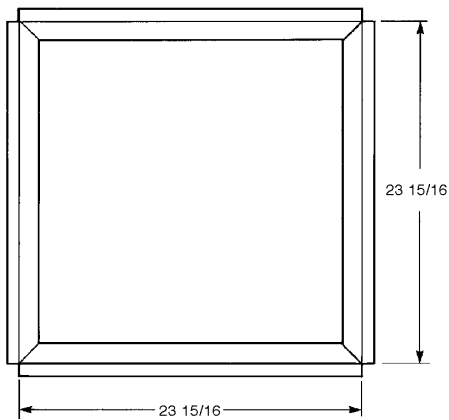
JOB:  
LOCATION:  
ARCHITECT:  
MECH. ENG.:  
CONTRACTOR:  
DATE:

## FSVFS24 Series Vari-Flow

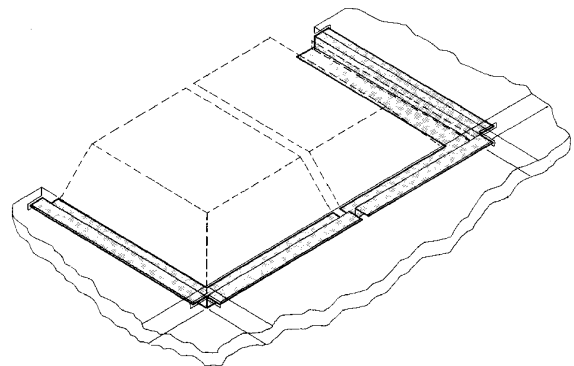
24" x 24" Sq. Spline Frame



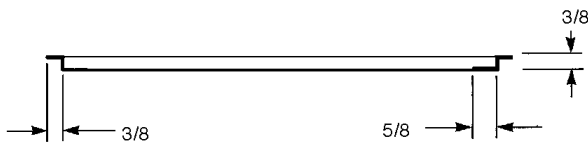
### Dimensions



**Face View**



**Typical Installation**



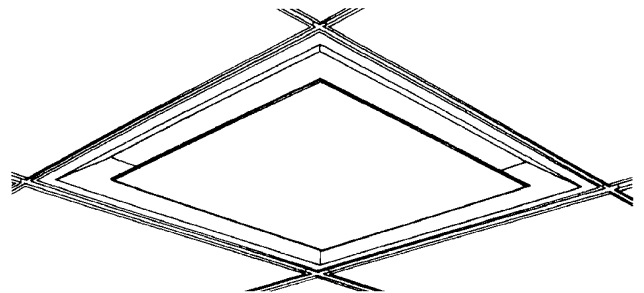
**Side View**

#### **Application:**

The FSVFS24 square spline frame is used with VFS24, SAS24, and EFS24 series diffusers for spline ceiling applications.

#### **Installation:**

The spline frame flange fits into the spline slot in the tile. The installed frame mounts flush with the tile face. The frame corners are mitered for appearance. The diffuser mounts in the frame from the face of the frame in the same manner that it would lay in a ceiling grid.



Form No. FSVFS94-720  
Eff. Date: 5/94