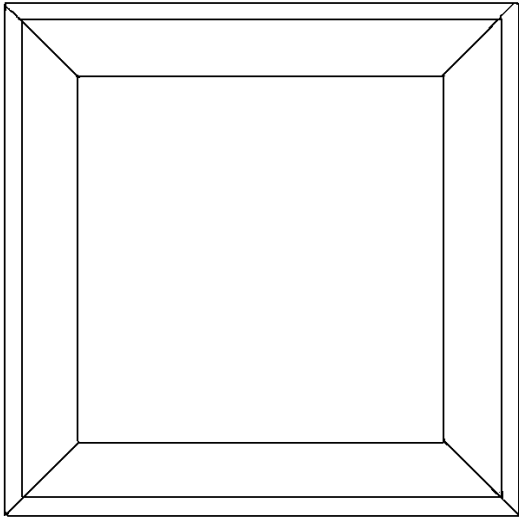


JOB:
 LOCATION:
 ARCHITECT:
 MECH ENG:
 CONTRACTOR:
 DATE:

SAS24 Series

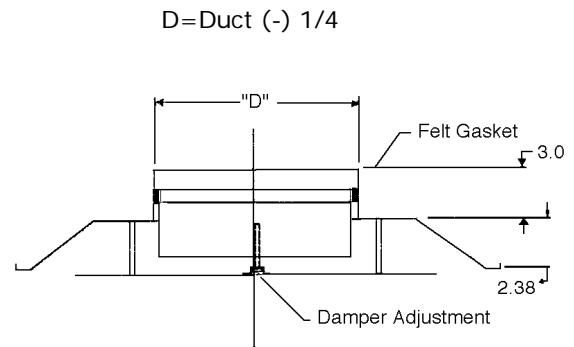
24" x 24" Square
 Ceiling Diffuser

Appearance Panel



← 23 3/4" →

Face View



Side View

Neck Sizes

† † † †	6"	† †	12"
† † † †	8"	† †	14"
† † † †	10"		
† † † †			

Features:

Construction: 24 ga. electro galvanized steel

Nominal Panels: 12" x 12", 14" x 14", 24" x 24"
 Available:

Discharge Pattern: Standard-4 way-1, 2, 2 way
 Corner and 3 way available

Accessories/Options: Additional frames-Surface
 mount, spline, and fine line
 Manually operated ring damper

Finish: White

