

# THERMAL PRODUCTS CORPORATION

## VFL Installation Instructions

The utmost care has been taken in the manufacturing, calibration, and packaging of this product to insure trouble free operation and ease of installation. **PLEASE** read the installation instructions **prior** to unpacking and installation.

1. **Inspect the carton for damage before opening.**

On large orders, the individual cartons are banded and shrink wrapped to pallets. This is done to help minimize damage in shipping. **Notify** the shipper if external damage exists.

2. **Remove the diffuser from the carton at the point of installation to minimize handling damage.**
3. **Install the diffuser in the ceiling grid.**
4. **Connect and secure the inlet duct to the collar.**

### MAINTENANCE

The VFL VAV linear diffuser is self powered by a thermal element. The element is designed to be maintenance free. After installation and temperature adjustment, no further maintenance is required.

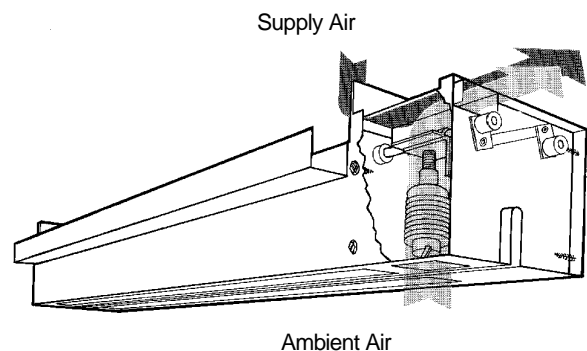
### VAV COOLING TEMPERATURE ADJUSTMENT

The VFL units are factory set for VAV cooling at approximately 70 degrees F. To adjust VAV cooling temperature, a straight blade screw driver is required. Adjustment is made by inserting the screwdriver into the control cavity and engaging the adjustment slot of the element. Turning the element one full revolution will change the temperature 1.5 degrees F. Turning the element clockwise will decrease the temperature set point, counterclockwise to increase the set point. **CAUTION**-only slight resistance will be felt

while adjusting the temperature set point. **DO NOT** use excessive force when resistance is felt or permanent damage may result.

As the adjustment screw is turned the damper blades can be seen moving. If the blades are full open and a lower room temperature is desired, turning the temperature adjustment will not help. Should the damper be full closed and a warmer room temperature is desired, turning the temperature adjustment will not help. These conditions would indicate a system malfunction has occurred. To set the room temperature, the A/C system must be operating. Allow 1 hour of operation before adjustment is attempted. Determine the room temperature being maintained by VFL with a thermometer. Adjust the unit to the desired temperature by turning the adjustment screw. Once adjusted, the VFL VAV linear diffuser will maintain temperature within 1.5 degrees F. of the set point regardless of load conditions.

EXAMPLE: The A/C system has run one hour and the room temperature is 75 degrees F. The desired room temperature is 72 degrees F. This requires a 3 degree temperature adjustment. To lower the room temperature 3 degrees, the adjustment screw must be turned two revolutions clockwise.



Copyright by Thermal Products Corporation-  
1984 Form No. VFL194-170 Eff. Date: 8/94